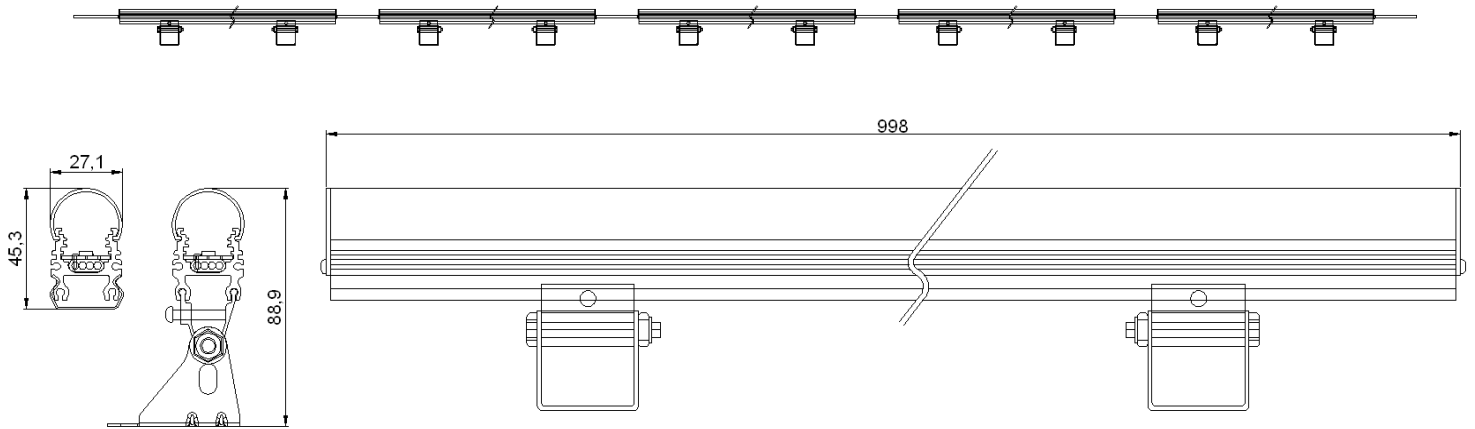


## LH-NB15-10C(확산)



### The Technical Specifications of LED bar (LH-NB15-10C)

Descriptions	Specifications	Remarks
1. Driving Current	0.625A	
2. Power Consumption	15 W	at 24V
3. Operating Voltage	19 ~ 25 VDC	
4. Recommended Voltage	24 VDC	
5. Channels per Meter	1 Channel	
6. Protocol	DMX512 RGB	
7. Operating Temperature	-20°C ~ +60°C	
8. Viewing Angle	120 degree	
9. Power input line length	500mm	
10. Outline Size	1000mm x 27mm x 42m	Include Clip(45.3mm), Include Angle bracket(88.9mm)
11. Weight	About 800 g	
12. Available length	500mm,1000mm	